

## — I Knuckle and Y Knuckle



### Ordering code

**F - M16 × 150 I**

①      ②      ③      ④

#### ① Accessories

F: cylinder accessories

#### ④ Code

I: I Knuckle

Y: Y Knuckle

Screw thread	Thread pitch
M3: M3	050: 0.5mm
M4: M4	070: 0.7mm
M5: M5	080: 0.8mm
M6: M6	100: 1.0mm
M8: M8	125: 1.25mm
M10: M10	
M12: M12	
M14: M14	
M16: M16	150: 1.5mm
M18: M18	
M20: M20	
M22: M22	
M26: M26	200: 2.0mm
M27: M27	
M36: M36	
M42: M42	

### Table for I knuckle and cylinder

Cylinder Accessory	CP96/C96/DNC/DNG/SC							DNG/SC		DNG				SI							
	32	40	50	63	80	100	125	32	40	200	250	320	32	40	50	63	80	100	125	160	200
F-M10X125I(Y)	●												●								
F-M12X125I(Y)		●												●							
F-M16X150I(Y)			●	●											●	●					
F-M20X150I(Y)					●	●										●	●				
F-M27X200I(Y)							●											●			
F-M36X200I(Y)								●		●										●	●
F-M42X200I(Y)											●										
F-M48X200I(Y)												●									

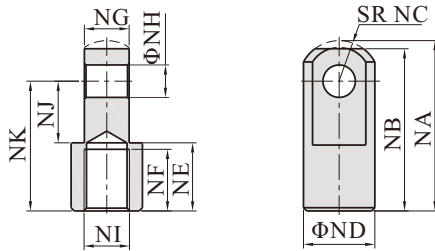
  

Cylinder Accessory	JSI/MB							SCE						MI							
	32	40	50	63	80	100	125	32	40	50	63	80	100	8	10	12	16	20	25	32	40
F-M4X070I(Y)														●	●						
F-M6X100I(Y)																●	●				
F-M8X125I(Y)																		●			
F-M10X125I(Y)	●							●											●	●	
F-M12X125I(Y)									●												●
F-M14X150I(Y)		●																			
F-M16X150I(Y)										●	●										
F-M18X150I(Y)			●	●																	
F-M20X150I(Y)												●	●								
F-M22X150I(Y)					●																
F-M26X150I(Y)						●															
F-M27X200I(Y)							●														

## I Knuckle and Y Knuckle

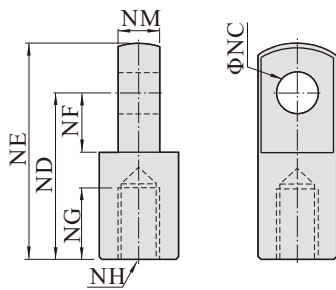
### Dimensions

#### I Knuckle(M14\M18\M22\M26)



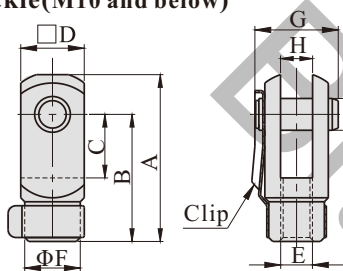
Type\Item	NA	NB	NC	ND	NE	NF	NG	NH	NJ	NK	NI
F-M14X150I	52.5	50	12.5	22	21	19	13.8	10	19	40	M14×1.5
F-M18X150I	66.5	64	16.5	28	27	24	19.8	14	24	50	M18×1.5
F-M22X150I	83.5	80	23.5	40	29	26	29.8	22	34	60	M22×1.5
F-M26X150I	83.5	80	23.5	40	29	26	29.8	22	34	60	M26×1.5

#### I Knuckle(Others)



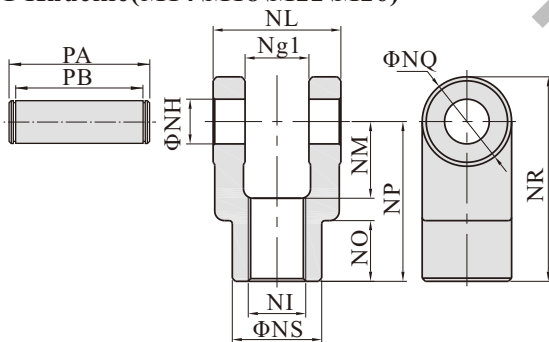
Type\Item	NC	ND	NE	NF	NG	NH	NM
F-M3x050I	3	12	15.5	5	5	M3×0.5	3
F-M4x070I	4	16	21	6.8	8	M4×0.7	4
F-M5x080I	5	25	32	14.1	7.5	M5×0.8	6.3
F-M6x100I	6	21	28	8.5	8	M6×1.0	6
F-M8x125I	8	30	40	11	15	M8×1.25	8
F-M10x125I	10	40	50	15	20	M10×1.25	10
F-M12x125I	12	48	62	24	20	M12×1.25	12
F-M16x150I	16	64	82	32	23	M16×1.5	16
F-M20x150I	20	80	102	40	30	M20×1.5	20
F-M27x200I	30	110	139	51	45	M27×2.0	30
F-M36x200I	35	144	181	65	55	M36×2.0	35
F-M42x200I	40	168	211	85	62	M42×2.0	40

#### Y Knuckle(M10 and below)



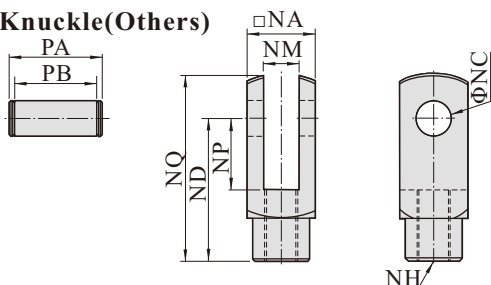
Type\Item	A	B	C	D	F	E	G	H	I
F-M3X050Y	15.5	12	5	6	6	M3×0.5	9	3	3
F-M4X070Y	22	16	8	8	7	M4×0.7	11.5	4	4
F-M5X080Y	28	21	10.2	12	10	M5×0.8	15.5	6.5	5
F-M6X100Y	32	24	12	12	10	M6×1.0	16	6	6
F-M8X125Y	42	32	16	16	14	M8×1.25	21	8	8
F-M10X125Y	52	40	20	19	18	M10×1.25	25	10	10

#### Y Knuckle(M14\M18\M22\M26)



Type\Item	NG1	NH	NI	NL	NM	NO	NP	NQ	NR	NS	PA	PB
F-M14X150Y	14.2	10	M14×1.5	27.8	19	17	40	22	51	22	34.6	28.8
F-M18X150Y	20.2	14	M18×1.5	39.8	24	19	50	28	64	28	47	40.8
F-M22X150Y	30.2	22	M22×1.5	59.8	34	20	65	40	85	40	69.2	60.8
F-M26X150Y	30.2	22	M26×1.5	59.8	34	20	65	40	85	40	69.2	60.8

#### Y Knuckle(Others)



Type\Item	NA	NC	ND	NP	NQ	NM	NH	PA	PB
F-M12X125Y	25.4	12	48	24	62	12	M12×1.25	32.4	26.2
F-M16X150Y	32	16	64	32	80	16	M16×1.5	39	32.8
F-M20X150Y	44.4	20	80	40	101	20	M20×1.5	53.4	45.2
F-M27X200Y	54	30	110	55	139	30	M27×2.0	64.2	54.8
F-M36X200Y	70	35	144	73	179	35	M36×2.0	80.2	70.8
F-M42X200Y	85	40	168	86	211	40.3	M42×2.0	115	93

## — Floating joint and Universal joint



### Ordering code

**F - M22 × 150 F**

①      ②      ③      ④

#### ① Accessories

F: cylinder accessories

#### ④ Code

F: Floating joint

U: Universal joint

Screw thread	Thread pitch
M3: M3	050: 0.5mm
M4: M4	070: 0.7mm
M5: M5	080: 0.8mm
M6: M6	100: 1.0mm
M8: M8	125: 1.25mm
M10: M10	
M12: M12	
M14: M14	
M16: M16	
M18: M18	150: 1.5mm
M20: M20	
M22: M22	
M26: M26	
M27: M27	200: 2.0mm
M36: M36	
M42: M42	

### Table for I knuckle and cylinder

Cylinder Accessory	CP96/C96/DNC/DNG/SC							DNG/SC			DNG				SI								
	32	40	50	63	80	100	125	32	40	50	200	250	320	32	40	50	63	80	100	125	160	200	
F-M10X125F(U)	●													●									
F-M12X125F(U)		●													●								
F-M16X150F(U)			●	●												●	●						
F-M20X150F(U)					●	●												●	●				
F-M27X200F(U)							●													●			
F-M36X200F(U)								●			●											●	●
F-M42X200F(U)												●											
F-M48X200F(U)													●										

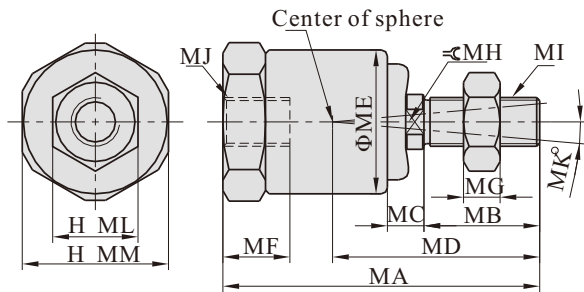
  

Cylinder Accessory	JSI/MB						SCE						MI						JSI/MB											
	32	40	50	63	80	100/125	32	40	50	63	80	100	8	10	12	16	20	25	32	40	12	16	20	25	32	40	50	63	80	100
F-M4X070F(U)													●	●																
F-M6X100F(U)															●	●														
F-M8X125F(U)																●							●							
F-M10X125F(U)	●										●								●	●				●						
F-M12X125F(U)											●												●							
F-M14X150F(U)		●																						●	●					
F-M16X150F(U)											●	●																		
F-M18X150F(U)			●	●																							●	●		
F-M20X150F(U)											●	●																		
F-M22X150F(U)						●																							●	
F-M26X150F(U)							●																							●
F-M27X200F(U)								●																						

## — Floating joint and Universal joint

### Dimensions

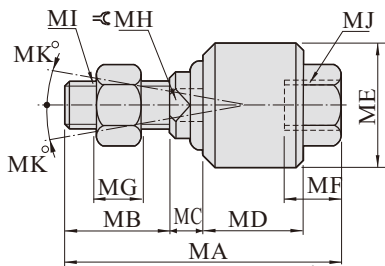
#### Floating joint(M6 and below)



Type\Item	MA	MB	MC	MD	ME	MF	MG	MH	MI/MJ	ML	MM
F-M3X050F	23.5	7.5	3	15	12.8	5.5	2.4	4	M3×0.5	5.5	13
F-M4X070F	26	9.5	3	17	12.8	6	3	4	M4×0.7	7	13
F-M5X080F	34.5	13.5	3.5	22.8	13.8	8	4	6	M5×0.8	8	14
F-M6X100F	34.5	13.5	3.5	22.8	13.8	8	4	6	M6×1.0	10	14

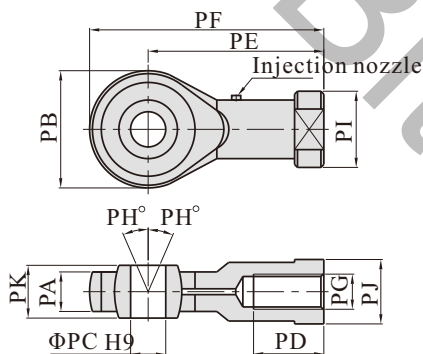
Note: Angle compensation:  $\pm 5^\circ$  . Radial direction compensation: 0.5

#### Floating joint(M8 and above)

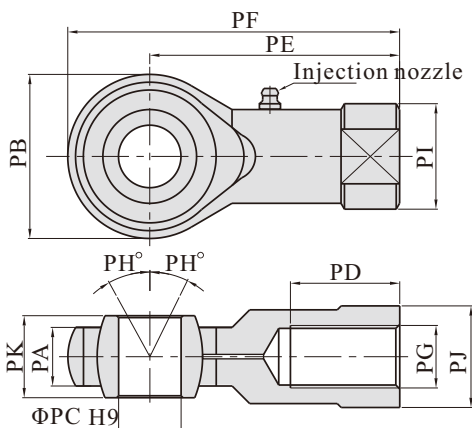


Type\Item	MA	MB	MC	MD	ME	MF	MG	MH	MI/MJ	MK
F-M8X125F	51	20	6	17	24	10.5	6	8	M8×1.25	13
F-M10X125F	58	22	7	21	26	11	6	10	M10×1.25	12
F-M12X125F	58	22	8	21	28	11.5	7	12	M12×1.25	12
F-M14X150F	70	22.5	8.5	28	34.5	16	8	15	M14×1.5	12
F-M16X150F	90	27	10	41	44.5	19	8	17	M16×1.5	7
F-M18X150F	92	27	10	41	44.5	21	11	18	M18×1.5	7
F-M20X150F	102	29	13	46	53	22	10	22	M20×1.5	10
F-M22X150F	108	32	13	46	53	25	13	22	M22×1.5	5
F-M26X150F	120	32	14.5	52.5	59.5	25	13	27	M26×1.5	5
F-M27X200F	136.5	40	14.5	52.5	59.5	40	13.5	27	M27×2.0	5
F-M36X200F	194.5	60	20.5	77.5	84	54	18	36	M36×2.0	5

#### Universal joint(M8 and below)



#### Universal joint(M10 and above)



Type\Item	PA	PB	PC	PD	PE	PF	PG	PH	PI	PJ	PK
F-M4X070U	6	18	5	10	27	36	M4×0.7	13	12.5	10	8
F-M5X080U	6	18	5	10	27	36	M5×0.8	13	12.5	10	8
F-M6X100U	6.8	20	6	12	30	40	M6×1.0	13	13	11	9
F-M8X125U	9	24	8	16	36	48	M8×1.25	13	16	14	12
F-M10X125U	11	26	10	20	43	56	M10×1.25	13	19	17	14
F-M12X125U	12	32	12	22	50	66	M12×1.25	13	22	19	16
F-M14X150U	14	36	14	28	57	75	M14×1.5	13	25	22	19
F-M16X150U	15	40	16	28	64	84	M16×1.5	15	27	22	21
F-M18X150U	16.5	46	18	30	71	94	M18×1.5	15	31	27	23
F-M20X150U	18	46	20	33	77	100	M20×1.5	15	34	30	25
F-M26X150U	22	60	25	48	94	124	M26×1.5	15	42	36	31
F-M27X200U	25	70	30	51	110	145	M27×2.0	15	50	41	37
F-M36X200U	27.5	80	35	56	125	165	M36×2.0	15	57.5	50	43